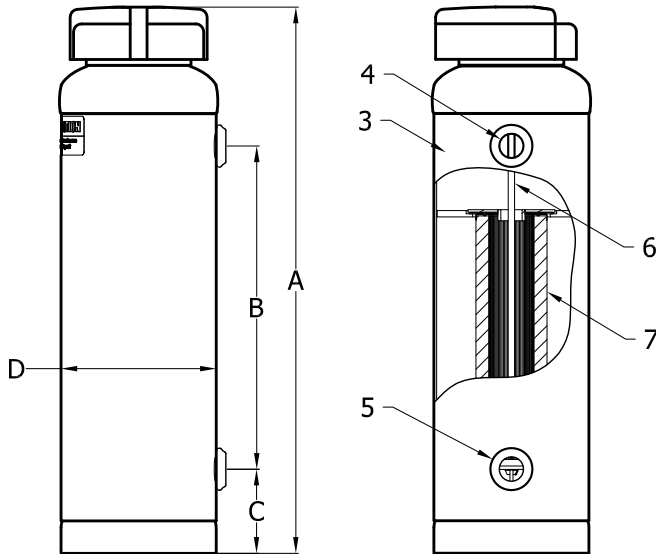


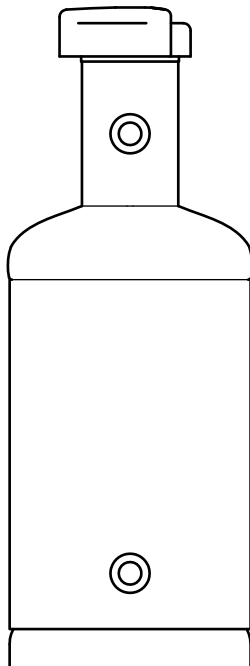
# J.L. WINGERT CO.

## Specification Sheet FLAT BOTTOM PLEATED FILTER FEEDER MODEL PF-[ ]HD

SS030015.B 12/16



PF-2HD and  
PF-12HD



PF-5HD

### SPECIFICATIONS

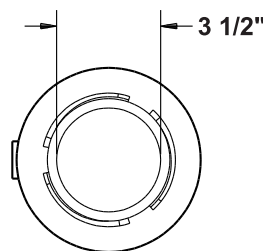
KEY	PART	SPECIFICATIONS
1	3071	CLOSURE: 3 1/2" cast iron, 1/4 turn closure (O-ring included).
2	3072	O-RING: Buna-N O-ring 200 °F
3		BODY: Carbon Steel
4		OUTLET: 3/4" FNPT
5		INLET: 3/4" FNPT
6	3186	PLEATED FILTER HANGER: 304 stainless steel filter hanger.
7	3187	FILTER: 20 micron high temperature pleated filter (10" long).
<b>MAX PRESSURE:</b>		<b>200 PSI (13.6 BAR)</b>
<b>MAX TEMPERATURE:</b>		<b>200 °F (93 °C)</b>

### FILL CAPACITY

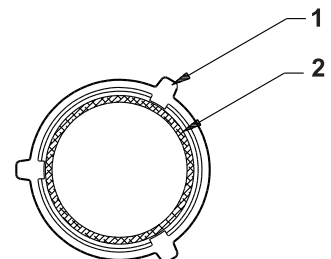
MODEL	GALLONS	LITERS
PF-2HD	2.16	8.17
PF-5HD	6.83	25.85
PF-12HD	12.76	48.30

### DIMENSIONS

KEY	PF-2HD	PF-5HD	PF-12HD
A	21 1/8"	27"	41 3/4"
B	12 1/2"	18"	31"
C	3 1/4"	4 1/4"	4 1/8"
D	6"	10"	10"
<b>WEIGHT</b>	21 lbs. (9.5 kgs.)	47 lbs. (21.3 kgs.)	64 lbs. (29.1 kgs.)
<b>SHIPPING DIMENSIONS</b>	6" x 6" x 22"	10" x 10" x 29"	10" x 10" x 44"



FEEDER TOP VIEW  
(LESS FEEDER LID)



LID BOTTOM VIEW

Note: All dimensions are +/- 1/8". All weights are approximate. All dimensions are subject to change without notice.

MANUFACTURING: Mixers, Bypass Feeders, Filter Feeders, Bromine Feeders, Sample Coolers, Sludge Traps, Separators, Separator Systems, Tank Stands, Tank Package Systems, Glycol Feed Systems, Coupon Racks, Control Stations, NEMA Enclosures, Custom Packaged Systems and Specialty Welding

P.O. Box 6207 | Garden Grove, CA 92846-6207 | 11800 Monarch St. | Garden Grove, CA 92841-2113 | Phone (714) 379-5519 | Fax (714) 379-5549  
Northern California Region | Phone (510) 487-5310 | Southwest Region | Phone (602) 470-1015 | Email: customerservice@jllwingert.com

[www.jllwingert.com](http://www.jllwingert.com)